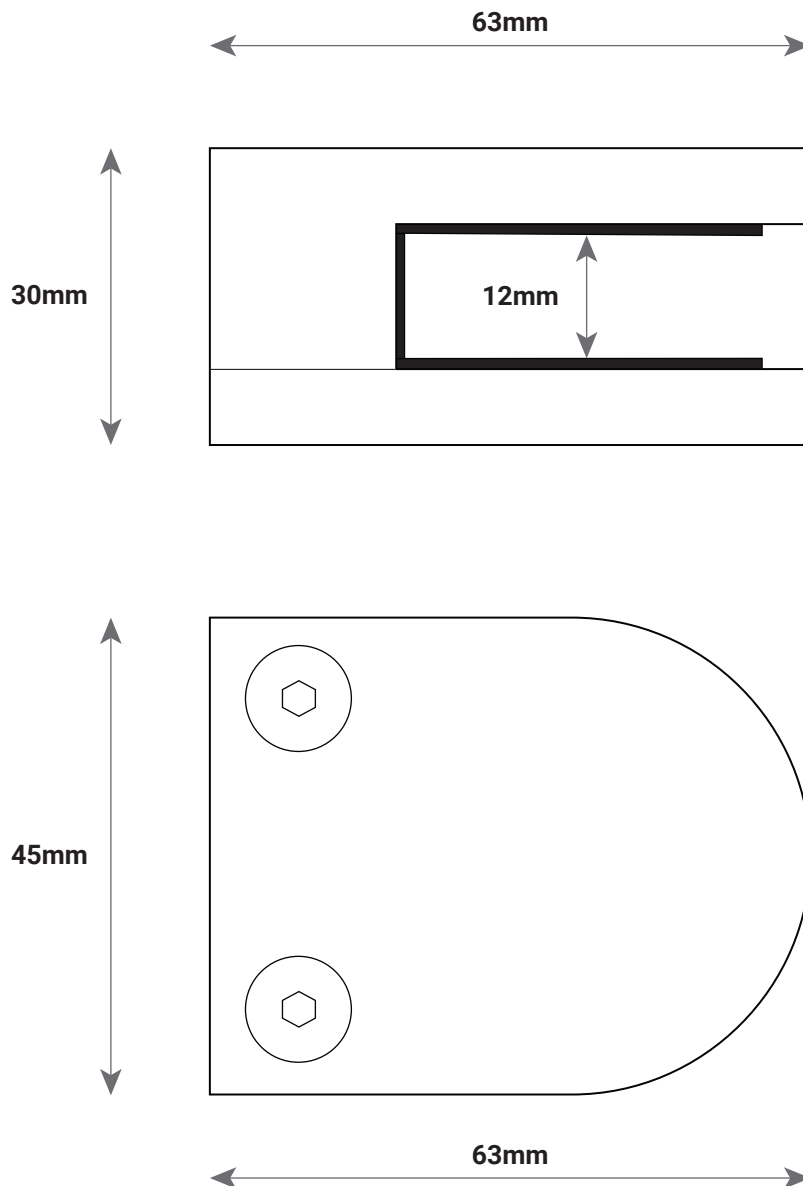


Address: 14 Harper St, Molendinar, QLD 4214

Phone: 1800 982 069 **Email:** info@tasmanglass.com.au



Clamp - Flat Back, 'D'

Suits 12mm glass. Friction Fitted - No Holes Required

Available in Polished and Matt Black